

Mazda®

GENUINE ACCESSORIES

INSTALLATION INSTRUCTIONS

PART NUMBER:
0000-8T-H50

Rear Bumper Guard

APPLICABLE MODELS:
2013 ≥ MAZDA 6

PACKAGE CONTENTS:



BUMPER GUARD (Qty 1)



TEMPLATE (Qty 1)

TOOLS REQUIRED:



50% ISOPROPYL
ALCOHOL/RESIDUE
FREE CLEANER



SOFT LINT FREE CLOTH



RUBBER ROLLER



MASKING TAPE

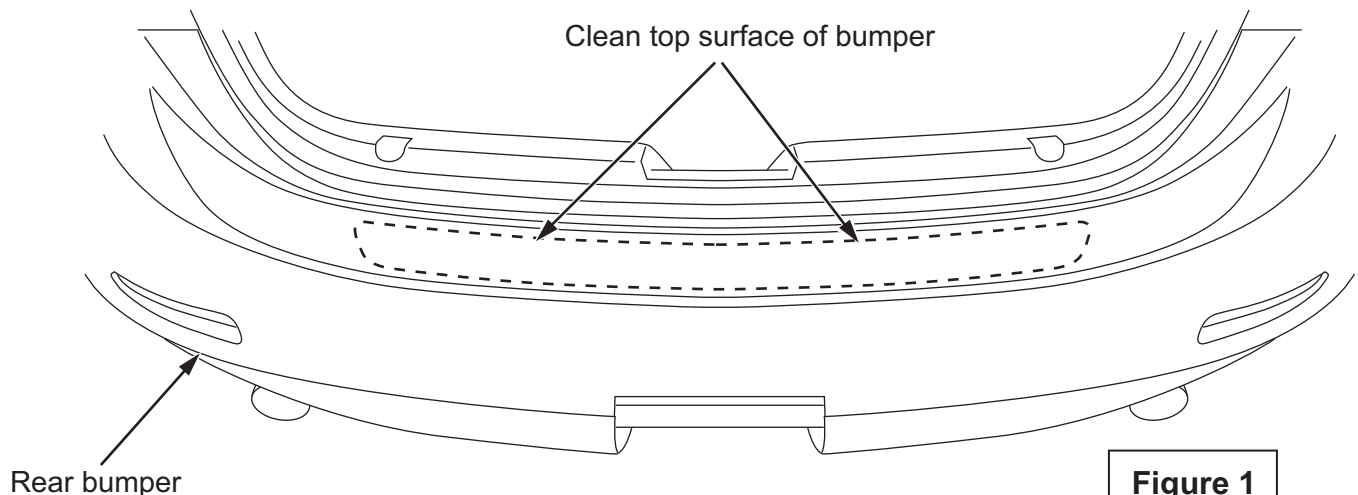
⚠ CAUTION: Make sure to follow the instructions carefully to ensure proper installation.

0. Before Installation:

- A. Read entire installation instruction before proceeding.
- B. Vehicle must be at room temperature. This is recommended to allow the tape to adhere in temperatures over 50 degrees F for at least 30 minutes.
- C. Clean mud, dirt and salt from installation area.
- D. Allow vehicle to dry.

1. Prepare Bumper:

- A. Open the lift gate.
- B. Carefully clean the horizontal surfaces where the bumper guard will attach with alcohol. Allow to air-dry.

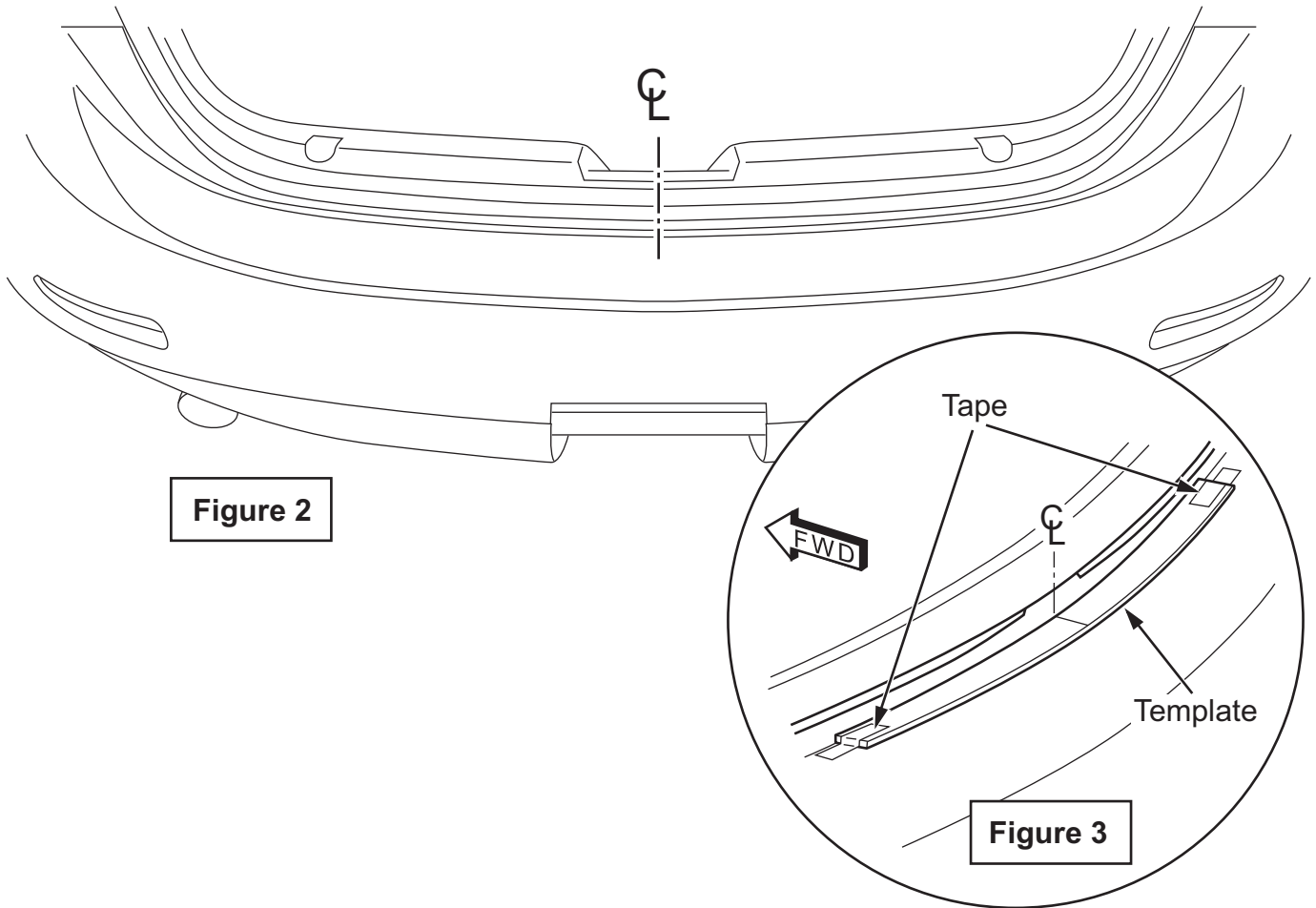


2. Position Template.

A. Measure and mark a center line at the rear bumper (Figure 2).

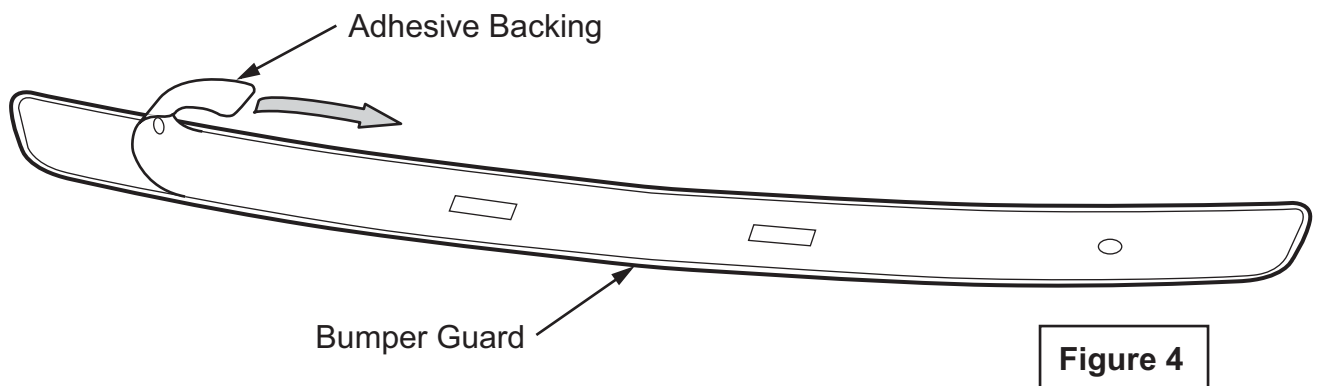
B. Place Template into position at the rear bumper and align center mark on template (Figure 3).

C. Tape into place (Figure 3).



3. Prepare Bumper Guard:

A. Remove the adhesive backing from Bumper Guard and discard. (Figure 4)



4. Place Bumper Guard:

- A. Carefully align the Bumper Guard along the edge of the Cardboard Template. Be sure to align the center mark on the top of the Guard with the center mark on the Template and press down flat into position (Figure 5).
- B. Remove the Template.

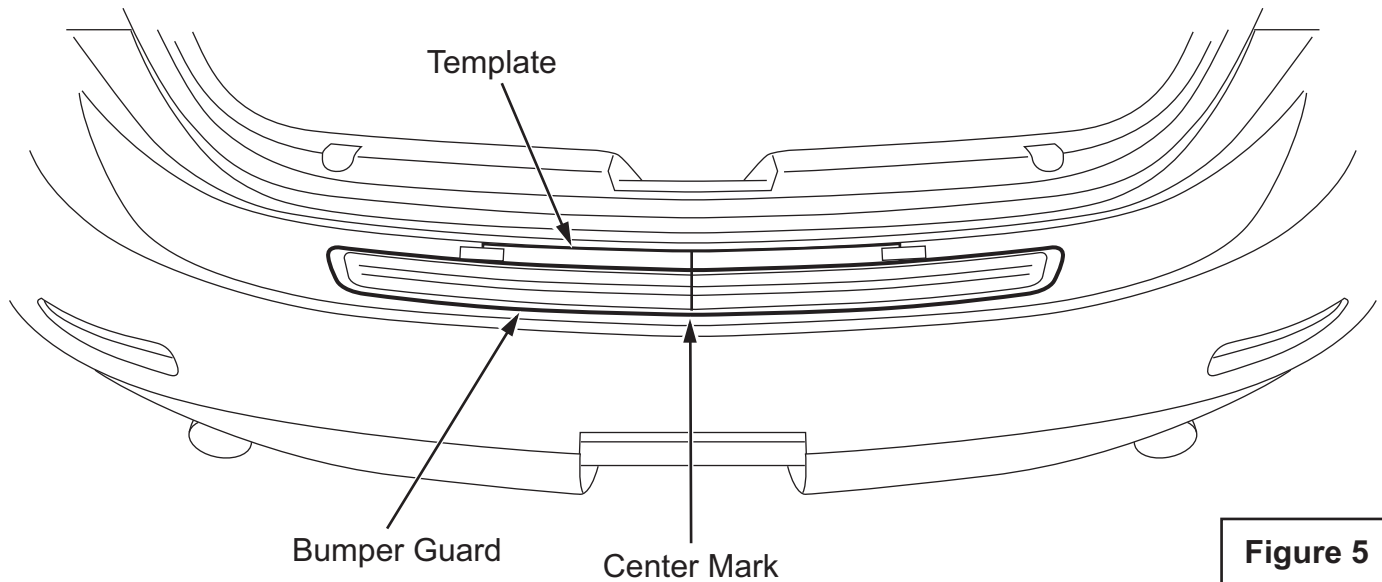


Figure 5

5. Apply Pressure to Bumper Guard:

- A. Use Rubber Roller, from center out, press down the perimeter of part to ensure proper wet-out of adhesive. (Figure 6) (Use caution to ensure roller does not scratch vehicle)
- B. Remove clear protective film from Bumper Guard.
- C. Wipe clean the Bumper Guard and rear bumper area.

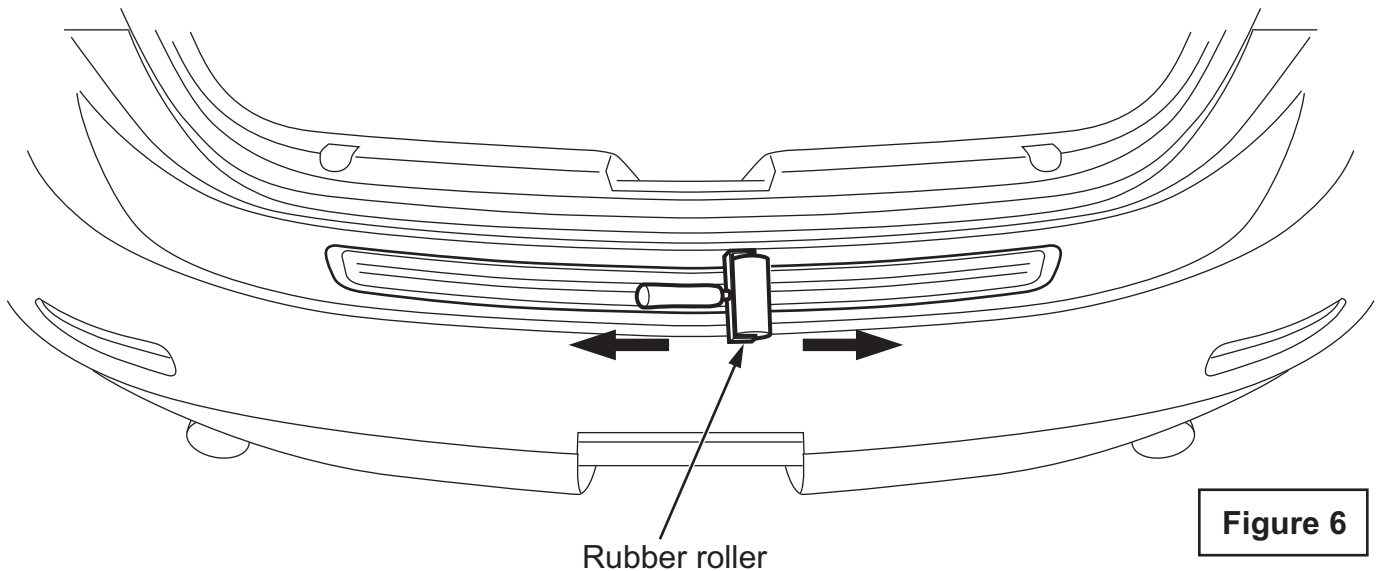


Figure 6

6. Inspect for proper adhesion and placement. Verify the part is not loose at any corner.

NOTE: Do not wash vehicle through an automatic car wash for at least 24 hours.

Installation Inspection Sheet

[To be used by installation workshop]

Mazda 6	Rear Bumper Guard
	2013>, All models

Inspection items after installation
Inspect the installed parts per the items listed below.

Section to be inspected	Inspection item (circle)		
	Gap & fit	Scratches/stains	Tape residue/fingerprints
Rear Bumper Guard (Steel)	○	○	○
Rear Bumper		○	○

Date		(year/month/day)			
VIN No.					
Approved		Checked		Prepared	

❖ Retention period of this sheet: 12 months